



### SPECIFICATION

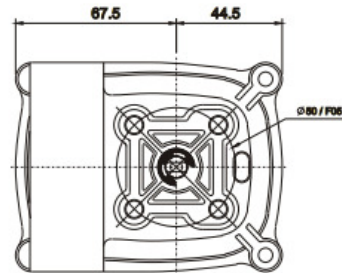
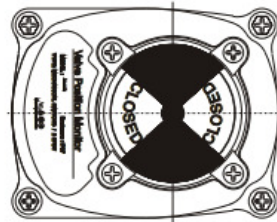
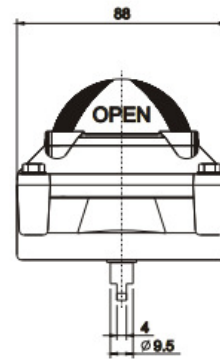
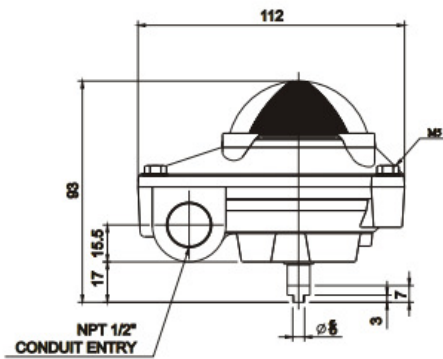
- \* Weatherproof Ip67/ NEMA 4 & 4X
- \* 2SPDT Mechanical switches
- \* Solid and compact design
- \* With open/closed position indicator
- \* NAMUR std. Mounting bracket

### Features

- \* Ambient Temperature: -20°C to +80°C
- \* Dual cable entries: 2 x 1/2" NPT
- \* Terminal Strips: 8 points
- \* Position indicator: Closed(red), Open(yellow)
- \* Aluminium die casting housing
- \* Polyester powder coating

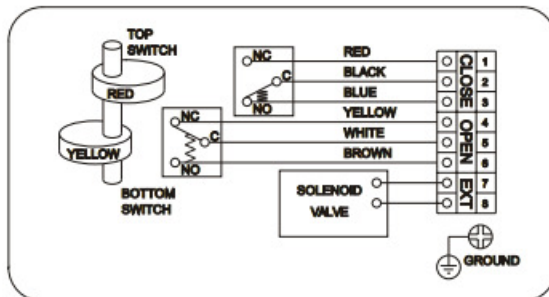
### OPTION

- \* Proximity sensor



### Wiring Diagram

Mechanical Switch (2 SPDT)



### MICRO SWITCH

USED IN APPROVED

TYPE : MECHANICAL SWITCH

POWER : 15A-125 OR 250V AC,

0.6A-125V DC, 0.3A-250V DC

#### STANDARD BRACKET:



30\*80\*20

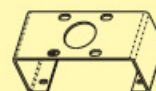
(ALUMINIUM)

#### OPTIONS:



30\*80\*30  
30\*130\*30

(ALUMINIUM)



30\*80\*20  
30\*130\*30  
30\*130\*50

(STEEL)