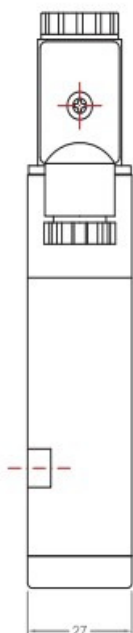


# Namur Accessories

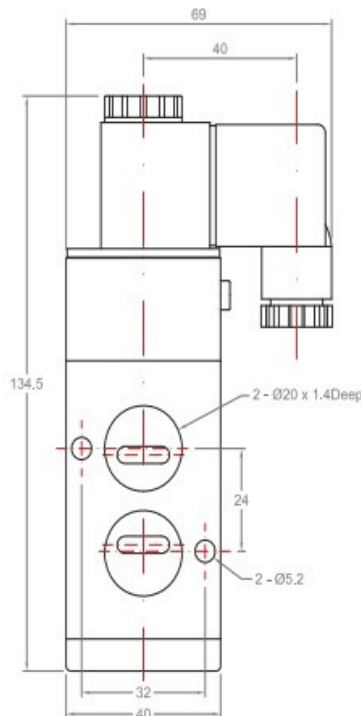
(1) 3/2 Adapter Plate



**3**

5- Position 2- Way  
Namur Solenoid Valve

300 Series

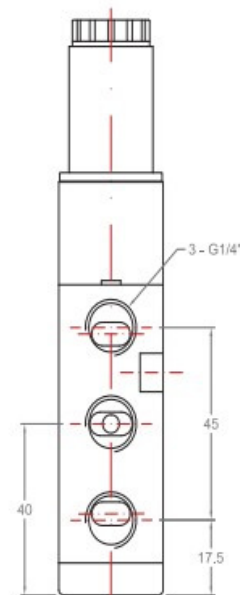


**10**

Number of coil and position  
Single head double position

**08**

Port Size  
G1/4"



**AC110V**

Coil Voltage  
DC12V  
DC24V  
DC110V  
AC24V 50/60Hz  
AC110V 50/60Hz  
AC220V 50/60Hz

Material	Body: Anodized aluminium			Seals: NBR		
Coil Voltage	DC12V	DC24V	AC24V	DC110V	AC110V	AC220V
Acting type	Internally pilot-actuated					
Position number	5 - Position 2- Way or <sup>(1)</sup> Conversion plate 3 - Position 2- Way					
Port size (G)	1/4"					
Available connector	With Led			-		
Fluid	Air					
Flow	700 L/Min					
Lubrication	Lubricated or not					
Operating Pressure (Mpa)	0.15 ~ 0.8					
Temperature range	5 ~ 60 °C					
Voltage range	±10%					
Power consumption	AC: 4.5VA DC: 3W					