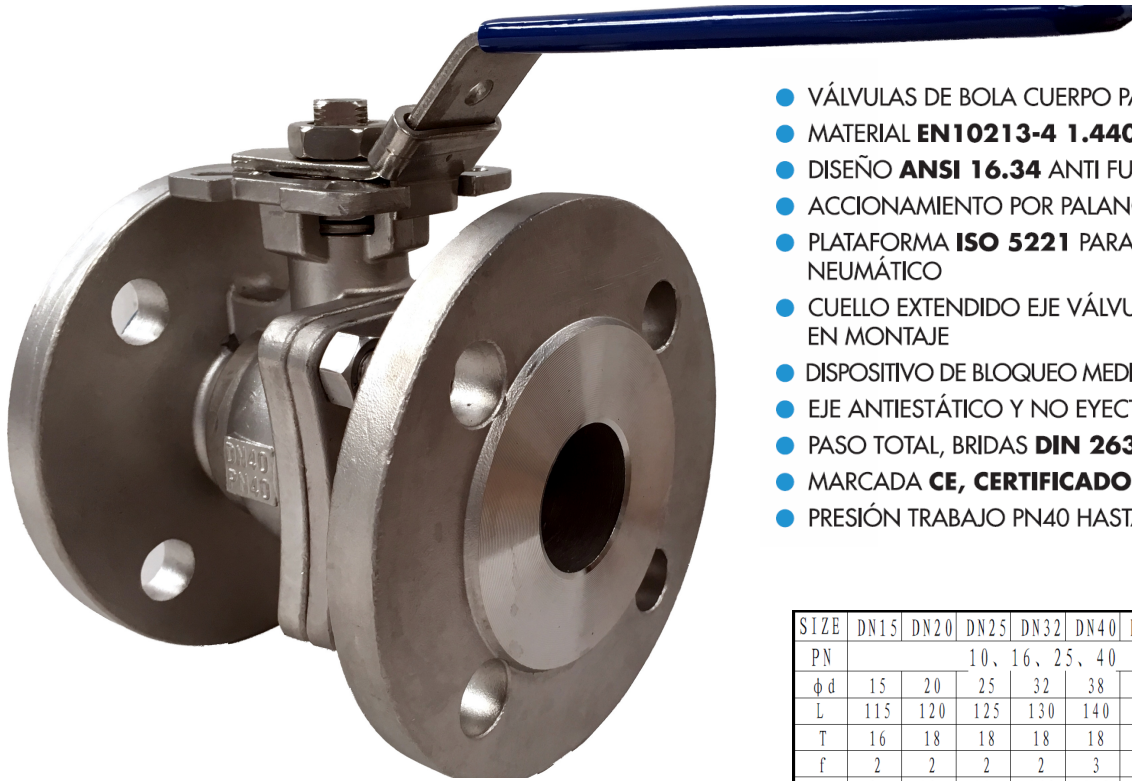


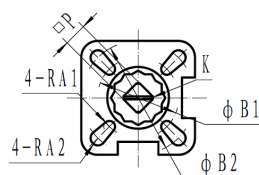
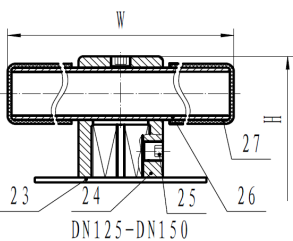
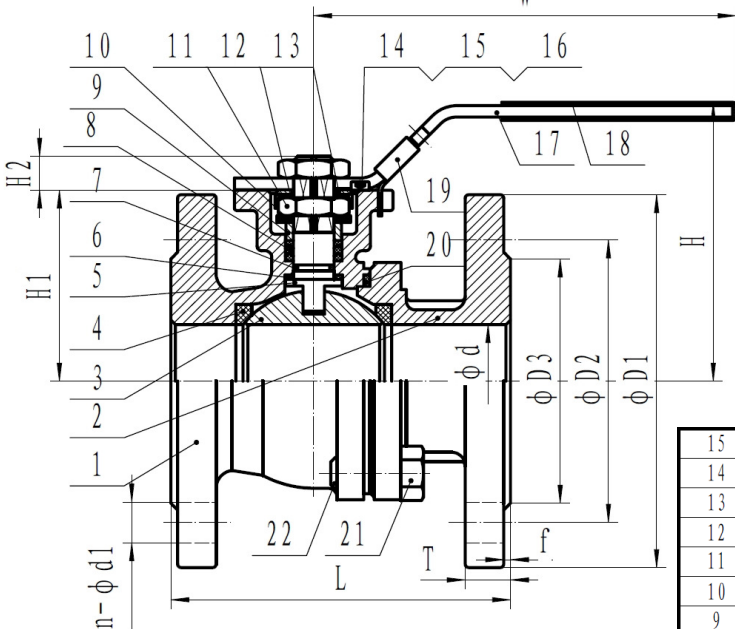
# ACDRA20

VÁLVULA DE BOLA 2 VÍAS INOX 316 BRIDAS PN 16/40



- VÁLVULAS DE BOLA CUERPO PARTIDO SPLIT BODY, PASO TOTAL
- MATERIAL **EN10213-4 1.4408**
- DISEÑO **ANSI 16.34** ANTI FUEGO
- ACCIONAMIENTO POR PALANCA
- PLATAFORMA **ISO 5221** PARA MONTAJE DE ACTUADOR NEUMÁTICO
- CUELLO EXTENDIDO EJE VÁLVULA PARA MAYOR COMODIDAD EN MONTAJE
- DISPOSITIVO DE BLOQUEO MEDIANTE CANDADO (no suministrado)
- EJE ANTIESTÁTICO Y NO EYECTABLE
- PASO TOTAL, BRIDAS **DIN 2633 PN 16/40, DIN 3202 F4**
- MARCADA **CE, CERTIFICADO EN 10204:2004-3.1**
- PRESIÓN TRABAJO PN40 HASTA DN50, SUPERIOR PN16

| SIZE | DN15           | DN20    | DN25    | DN32    | DN40    | DN50    | DN65    | DN80    | DN100 | DN125 | DN150 |
|------|----------------|---------|---------|---------|---------|---------|---------|---------|-------|-------|-------|
| PN   | 10, 16, 25, 40 |         |         |         |         |         | 10, 16  |         |       |       |       |
| φ d  | 15             | 20      | 25      | 32      | 38      | 50      | 65      | 76      | 100   | 120   | 150   |
| L    | 115            | 120     | 125     | 130     | 140     | 150     | 170     | 180     | 190   | 325   | 350   |
| T    | 16             | 18      | 18      | 18      | 18      | 20      | 18      | 20      | 20    | 22    | 22    |
| f    | 2              | 2       | 2       | 2       | 3       | 3       | 3       | 3       | 3     | 3     | 3     |
| D1   | 95             | 105     | 115     | 140     | 150     | 165     | 185     | 200     | 220   | 250   | 285   |
| D2   | 65             | 75      | 85      | 100     | 110     | 125     | 145     | 160     | 180   | 210   | 240   |
| D3   | 45             | 58      | 68      | 78      | 88      | 102     | 122     | 138     | 158   | 188   | 212   |
| n    | 4              | 4       | 4       | 4       | 4       | 4       | 4       | 8       | 8     | 8     | 8     |
| φ d1 | 14             | 14      | 14      | 18      | 18      | 18      | 18      | 18      | 18    | 18    | 22    |
| H1   | 48             | 53      | 58.5    | 71      | 76      | 84.5    | 101.5   | 111.5   | 141   | 160   | 184   |
| H2   | 8              | 8       | 11      | 11      | 14      | 14      | 17      | 17      | 22    | 40.5  | 40.5  |
| H    | 80             | 85      | 95      | 108     | 114     | 124     | 148     | 158     | 189   | 242   | 270   |
| W    | 140            | 140     | 160     | 160     | 185     | 185     | 230     | 230     | 320   | 500   | 800   |
| K    | M12×1.5        | M12×1.5 | M14×1.5 | M14×1.5 | M18×1.5 | M18×1.5 | M22×1.5 | M22×1.5 | M28×2 | M36×2 | M36×2 |
| P    | 9              | 9       | 11      | 11      | 14      | 14      | 17      | 17      | 22    | 27    | 27    |
| A1   | 3              | 3       | 3       | 3       | 3.5     | 3.5     | 4.5     | 4.5     |       | M12   | M12   |
| A2   | 3              | 3       | 3.5     | 3.5     | 4.5     | 4.5     | 5.5     | 5.5     | M10   |       |       |
| B1   | 36             | 36      | 42      | 42      | 50      | 50      | 70      | 70      |       | 125   | 125   |
| B2   | 42             | 42      | 50      | 50      | 70      | 70      | 102     | 102     | 102   |       |       |



|      |                   |               |      |                  |          |
|------|-------------------|---------------|------|------------------|----------|
| 15   | NUT               | 304           |      |                  |          |
| 14   | STOP BOLT         | 304           |      |                  |          |
| 13   | WASHER            | 304           |      |                  |          |
| 12   | THRUST WASHER     | 304           | 27   | PLASTIC COVER    | PLASTIC  |
| 11   | NUT               | 304           | 26   | HANDLE           | 304      |
| 10   | Belleville Washer | 301           | 25   | Set Screwed      | 304      |
| 9    | GLAND             | 304           | 24   | Handle Adapter   | 304      |
| 8    | V-RING PACKING    | PTFE          | 23   | Triangle Stopper | 304      |
| 7    | O-RING            | NBR           | 22   | BOLT             | 304      |
| 6    | STEM PACKING      | PTFE          | 21   | NUT              | 304      |
| 5    | STEM              | 304           | 20   | BODY GASKET      | PTFE     |
| 4    | BALL SEAT         | RPTFE         | 19   | LOCKING          | 304      |
| 3    | BALL              | 1.4408/1.4308 | 18   | PLASTIC COVER    | PLASTIC  |
| 2    | CAP               | 1.4408/1.4308 | 17   | HANDLE           | 304      |
| 1    | BODY              | 1.4408/1.4308 | 16   | WASHER           | 304      |
| ITEM | DESIGNATION       | MATERIAL      | ITEM | DESIGNATION      | MATERIAL |