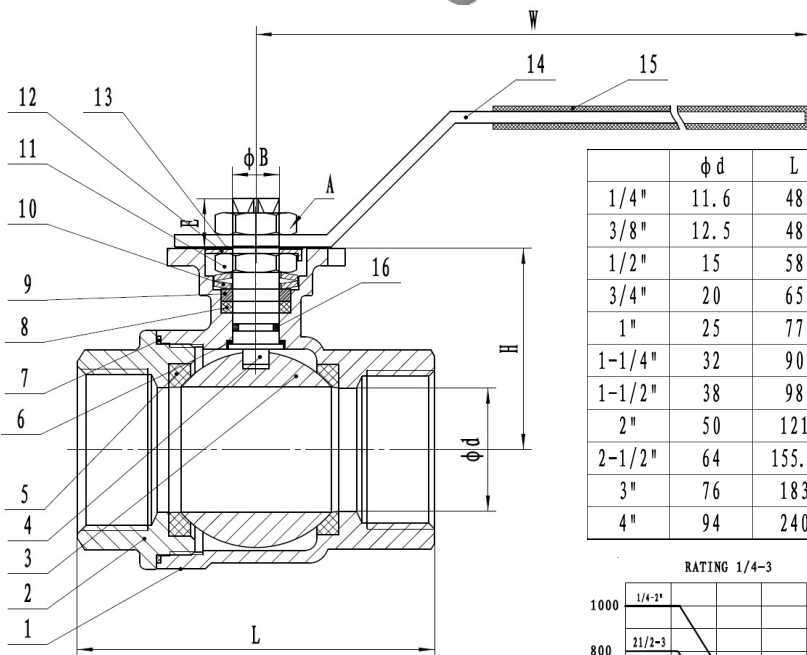




- VÁLVULAS DE BOLA 2 PIEZAS, PASO TOTAL
- MATERIAL **EN10213-4 1.4408**
- EXTREMOS ROSCADOS GAS SEGÚN **DIN 2999**
- ACCIONAMIENTO POR PALANCA
- CON CERTIFICADOS DE CALIDAD

16	O-RING	VITON			
15	PLASTIC COVER	PLASTIC			
14	HANDLE	304			
13	WASHER	304			
12	AGAINST PINE PAD	304			
11	STEM NUT	304			
10	SPRING WASHER	301			
9	GLAND RING	304			
8	STEM PACKING	PTFE			
7	BODY SEAL	PTFE			
6	THRUST WASHER	PTFE			
5	SEAT	PTFE			
4	STEM	304/316			
3	BALL	304/316			
2	CAP	CF8/CF8M			
1	BODY	CF8/CF8M			



	ϕd	L	H	D	E	B	W	ISO5211
1/4"	11.6	48	36.5	9	9	12	143	F04/03
3/8"	12.5	48	36.5	9	9	12	143	F04/03
1/2"	15	58	37.8	9	9	12	143	F04/03
3/4"	20	65	42.5	9	9	12	143	F04/03
1"	25	77	45	11	11	14	163	F05/04
1-1/4"	32	90	51.5	11	11	14	163	F05/04
1-1/2"	38	98	59.5	14	14	18	188	F07/05
2"	50	121	68.5	14	14	18	188	F07/05
2-1/2"	64	155.6	92	17	17	22	350	F10/07
3"	76	183	101	17	17	22	350	F10/07
4"	94	240	133	22	22	28	350	F12/10

