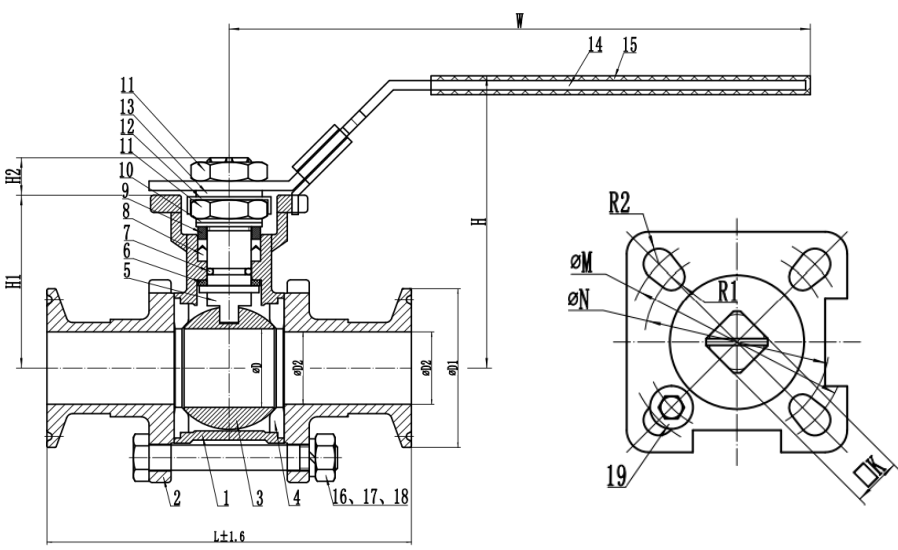


ACDRA 12

VÁLVULA DE BOLA 3 PIEZAS INOX 316



NO	PART NAME	MATERIAL	Q' TY
1	BODY	CF8/CF8M	1
2	CAP	CF8/CF8M	1
3	BALL	304/316	1
4	BALL SEAT	PTFE/RPTFE	2
5	STEM	304/316	1
6	THRUST WASHER	PTFE	1
7	O-Ring	NBR/VITON	1
8	STEM PACKING	PTFE	1
9	GLAND RING	304	1
10	BELLEVILLE WASHER	304	2
11	STEM NUT	304	2
12	LOCK WASHER	304	1
13	WASHER	304	1
14	HANDLE	304	1
15	PLASTIC COVER	PLASTIC	1
16	BOLT	304	4
17	SPRING WASHER	304	8
18	BOLT NUT	304	8
19	STOP PIN	304	1

	øD	øD2	L	H1	H2	øN	øM	R1	R2	□K	øD1	H	W
1/2"	15	9.5	90	42	9	36	42	3	3	9	25.4	75	140
3/4"	20	15.8	90	48	9	36	42	3	3	9	25.4	75	140
1"	25	22.2	100	55	11	42	50	3	3.5	11	50.5	93	160
1 1/2"	38	34.9	125	70	15	50	70	3.5	4.5	14	50.5	109	190
2"	50	47.6	150	85	15	50	70	3.5	4.5	14	64	124	190