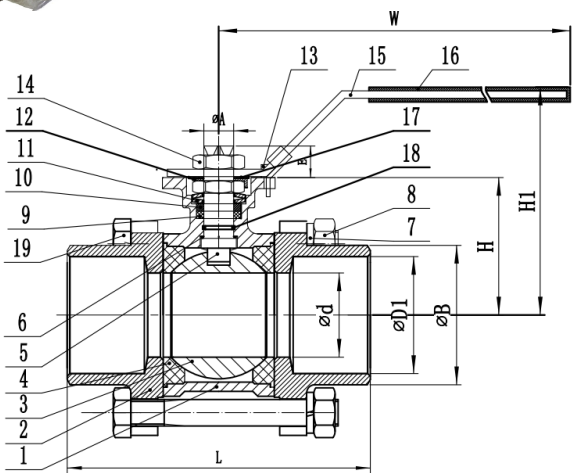
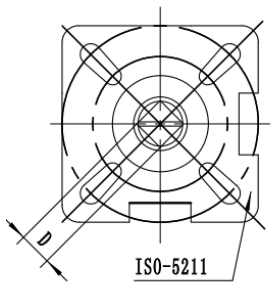


ACDRA 12

VÁLVULA DE BOLA 3 PIEZAS INOX 316



19	BOLT	4(6)	304
18	O-RING	1	VITON
17	WASHER	1	304
16	HANDLE SLEEVE	1	PLASTIC
15	HANDLE	1	304
14	HANDLE NUT	2	304
13	STOP PIN	1	304
12	LOCK WASHER	1	304
11	BELLEVILLE WASHER	2	301
10	RING	1	304
9	STEM PACKING	1	PTFE
8	BOLT NUT	4(6)	304
7	SPRING WASHER	4(6)	304
6	THRUST WASHER	1	PTFE
5	STEM	1	304/316
4	SEAT	2	PTFE
3	BALL	1	CF8M/CF8
2	CAP	2	CF8M/CF8
1	BODY	1	CF8M/CF8

	$\text{ød} \pm 0.5$	$L \pm 2$	$H \pm 1$	$D - 0.07^0$	$E \pm 1$	$A - 0.3^0$	ISO5211	W	H1	D1	B
1/4"	11.6	60	38.5	9	9	12	F04/03	143	70	10.8	18
3/8"	12.5	60	38.5	9	9	12	F04/03	143	70	13	18
1/2"	15	70	38.5	9	9	12	F04/03	143	70	16	23
3/4"	20	85	47.5	9	9	12	F04/03	143	79	21	28
1"	25	95	59	11	11	14	F05/04	163	95	26.6	35
1-1/4"	32	110	63.5	11	11	14	F05/04	163	100	35	43
1-1/2"	38	120	79	14	15	18	F07/05	188	116	40.5	50
2"	50	142	86.5	14	15	18	F07/05	188	124	52.5	61
2-1/2"	64	166	109.1	17	17	22	F10/07	350	141	65	75
3"	76	182	117	17	17	22	F10/07	350	149	78	91
4"	94	227	136	22	22	28	F12/10	350	173	100	115